

## CleanRoom Gowning Benches



*solid gowning bench*



*wire gowning bench*



*gowning bench with standard undershelf and perforated top,  
 shown with additional undershelf and dividers*

### Solid Gowning Benches

- ◆ Comes with legs with flanged stainless steel feet, front-to-back crossbracing, and a 14 gauge stainless steel seat.
- ◆ Available in brushed finish 304 stainless steel or electropolished finish.
- ◆ Flanged feet can be bolted to the floor, if desired.
- ◆ 9" & 12" (229 & 305mm) width with 36" - 84" (914-2134mm) lengths.
- ◆ Electropolished or stainless steel finishes.

### Wire Gowning Benches

- ◆ Comes with 18" (457mm) legs with triangular foot plates, three-sided channel frame, and 14" (356mm)-wide wire seat.
- ◆ Ideal for less demanding environments, or during construction as the room is brought into clean.
- ◆ Open wire construction offers 62% laminar flow.
- ◆ Chrome or stainless steel finishes.

### Gowning Benches with Standard Undershelf

- ◆ Comes with 18" (457mm)-wide solid or perforated top, legs, foot plates, and one 14" (356mm)-wide wire undershelf.
- ◆ Optional dividers and extra wire shelf are ideal for bootie storage.
- ◆ Available in lengths of 36", 48", 60" and 72" (914, 1219, 1524 and 1829mm).
- ◆ Electropolished or stainless steel finishes.

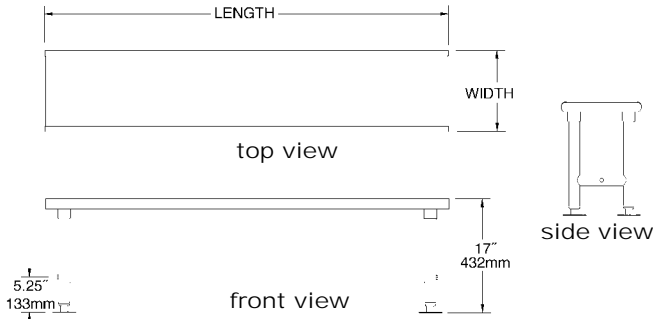
# Details & Specifications

## Solid Gowning Benches

**Tops** - Front and rear feature a rolled edge, with ends turned down 90°. 14 gauge type 304 stainless steel. Stainless steel channels run underside for added stability.

**Legs** - 1 5/8" (41mm)-diameter, 17" (432mm) high, 16 gauge type 304 stainless steel. Benches 72" (1829mm) and longer consist of six legs. Legs joined by stainless steel front-to-back crossbracing. Legs recessed in gussets that are joined to channels that run underside top.

**Foot plates** - Heavy gauge stainless steel, flanged. Allows for bench to be bolted to floor if desired.



width x length in. mm	weight lbs. kg	electropolished model #	stainless steel model #
9" x 36" 229 x 914	33 15.0	CRB0936EP	CRB0936
9" x 48" 229 x 1219	44 20.0	CRB0948EP	CRB0948
9" x 60" 229 x 1524	55 24.9	CRB0960EP	CRB0960
9" x 72" 229 x 1829	66 29.9	CRB0972EP	CRB0972
12" x 36" 305 x 914	30 13.6	CRB1236EP	CRB1236
12" x 48" 305 x 1219	40 18.1	CRB1248EP	CRB1248
12" x 60" 305 x 1524	50 22.7	CRB1260EP	CRB1260
12" x 72" 305 x 1829	60 27.2	CRB1272EP	CRB1272
12" x 84" 305 x 2134	70 31.8	CRB1284EP	CRB1284

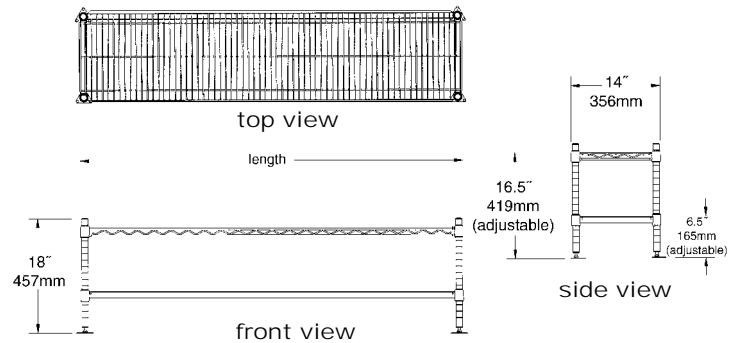
## Wire Gowning Benches

**Tops** - 14" (356mm) wide.

**Legs** - 1" (25mm) diameter posts, 18" (457mm) high, 16 gauge type 304 stainless steel.

**Foot plates** - 13 gauge stainless steel, triangular. Allows for bench to be bolted to floor if desired.

**Channel frame** - 1" (25mm)-square channel, 14 gauge stainless steel.



width x length in. mm	weight lbs. kg	chrome model #	stainless steel model #
14" x 36" 356 x 914	15 6.8	W1436-GBC	W1436-GBS
14" x 48" 356 x 1219	19 8.6	W1448-GBC	W1448-GBS
14" x 60" 356 x 1524	25 11.3	W1460-GBC	W1460-GBS
14" x 72" 356 x 1829	30 13.6	W1472-GBC	W1472-GBS

## Gowning Benches with Standard Undershelf

**Tops** - Front and rear feature a rolled edge, with ends turned down 90°. Electropolished and stainless steel finish available on all tops.

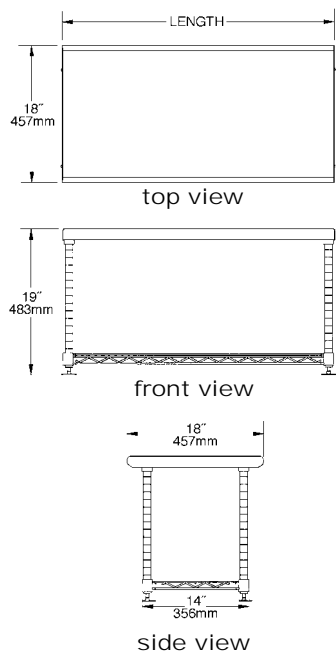
**perforated tops** - 18" (457mm) wide. 3/4" (19mm) perforations on 1" (25mm) centers, allowing a 40% laminar flow.

**solid tops** - 18" (457mm) wide. 14 gauge type 304.

**Legs** - 1" (25mm) diameter posts, 18" (457mm) high, 16 gauge type 304 stainless steel. 72" (1829mm) benches consist of six legs.

**Foot plates** - 13 gauge stainless steel, triangular. Allows for bench to be bolted to floor if desired.

**Undershelf** - 14" x 36" (356 x 914mm) wire shelf, type 304 stainless steel. 72" (1829mm) benches consist of two 14" x 36" (356 x 914mm) wire shelves with S hooks.



width x length in. mm	weight lbs. kg	PERFORATED TOP		SOLID TOP	
		electropolished model #	stainless steel model #	electropolished model #	stainless steel model #
18" x 36" 457 x 914	38 17.2	PCRB1836EP	PCRB1836	CRB1836EP	CRB1836
18" x 48" 457 x 1219	43 19.5	PCRB1848EP	PCRB1848	CRB1848EP	CRB1848
18" x 60" 457 x 1524	49 22.0	PCRB1860EP	PCRB1860	CRB1860EP	CRB1860
18" x 72" 457 x 1829	55 24.9	PCRB1872EP	PCRB1872	CRB1872EP	CRB1872

### Options for Gowning Benches with Standard Undershelf

#### DIVIDERS

Stainless steel.

length in. mm	height in. mm	weight lb. kg	model #
14" 356	4" 102	0.8 0.4	SD14-4S

#### ADDITIONAL WIRE SHELVES

Stainless steel.

width x length in. mm	weight lb. kg	model #
14" x 36" 356 x 914	8 3.6	1436S
14" x 48" 356 x 1219	10 4.6	1448S
14" x 60" 356 x 1524	14 6.4	1460S